

Flash Captive Screw

- LED Light Transmission technology fastener
- Fast navigate, allocate, positioning screw in a dark environment.
- ex.Data Center. Easy to operate , repair, maintenance.
- Smart fastening to alert loosen screw or any error warning.
- Fast detect faulty screw, easy to allocate and fix.

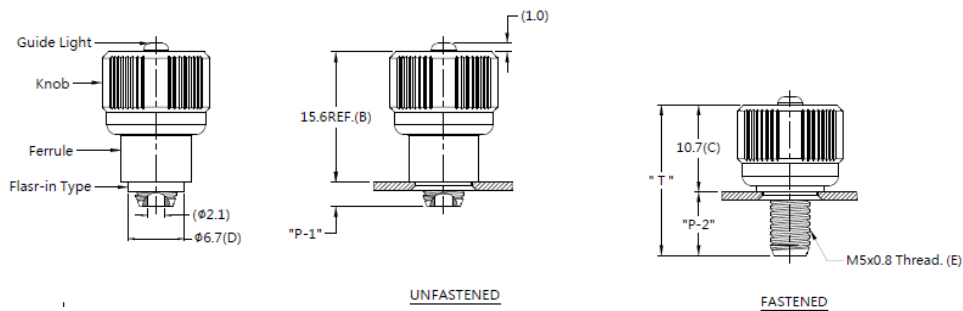
Flash Captive Screw 100 Series patented.



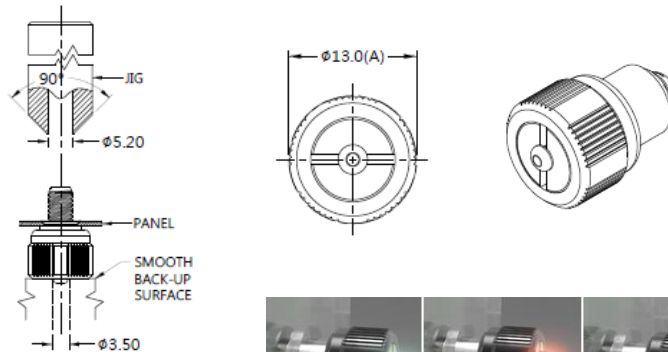
Material and Finish

- Knob : 6000 Series Aluminum, Natural Finish.
- Screw : 300 Series Stainless Steel, Natural Finish.
- Spring : 300 Series Stainless Steel, Natural Finish
- Ferrule : 6000 Series Aluminum, Natural Finish.
- Guide Light : Plastic, Natural Finish.

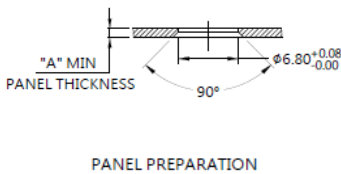
■ Projection



■ Installation Style



■ Panel Preparation



■ Dimensions(mm)

SCREW LENGTH "T"	SCREW PROJECTION		PANEL THICKNESS		DIMENSINOS	
	P-1	P-2	A, MIN	A, MAX	" L "	" B "
18.5	2.9	7.8	1.0	~	1.2	0.4