

Flash Nut

- LED Light Transmission technology fastener
- Fast navigate, allocate, positioning screw in a dark environment.
- ex.Data Center. Easy to operate , repair, maintenance.
- Smart fastening to alert loosen screw or any error warning.
- Fast detect faulty screw, easy to allocate and fix.

Flash Nut 100 Series patented.

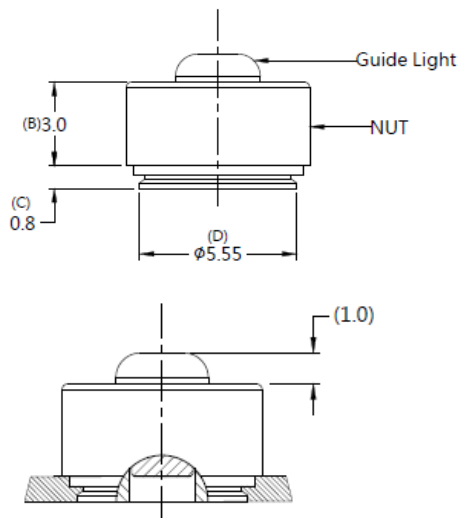


Material and Finish

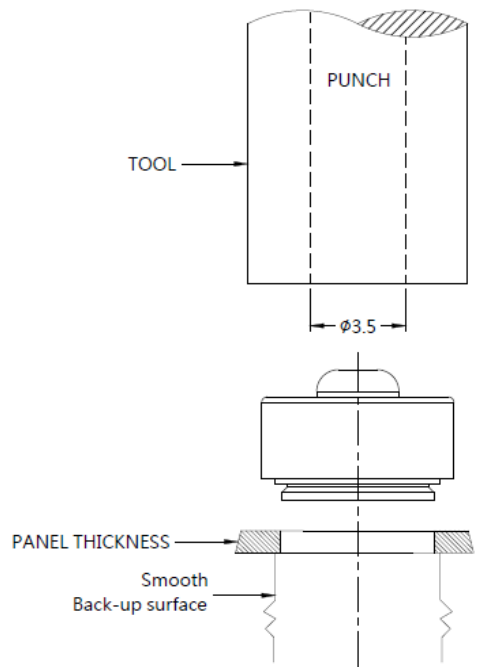
Nut : Carbon Steel. Zinc Finish.

Guide Light : Plastic, Natural Finish.

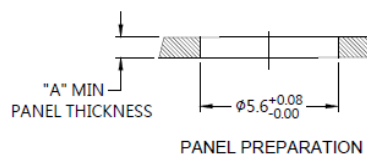
■ Projection



■ Installation



■ Panel Preparation



■ Dimensions(mm)

SCREW LENGTH "T"	SCREW PROJECTION		PANEL THICKNESS		DIMENSINOS	
	P-1	P-2	A, MIN	A, MAX	" L "	" B "
			0.8	~		